

W03590 S0006574836_V3

MR2059

Figure 401. Main Landing Gear Reaction Link Assembly Installation - Sheet 6
TASK 32-11-71-000-801

GAT 368

26/12/24

PARTIAL SIGN OFF STATUS:

Item: _____ Completed through item: _____ Sign: *[Signature]*

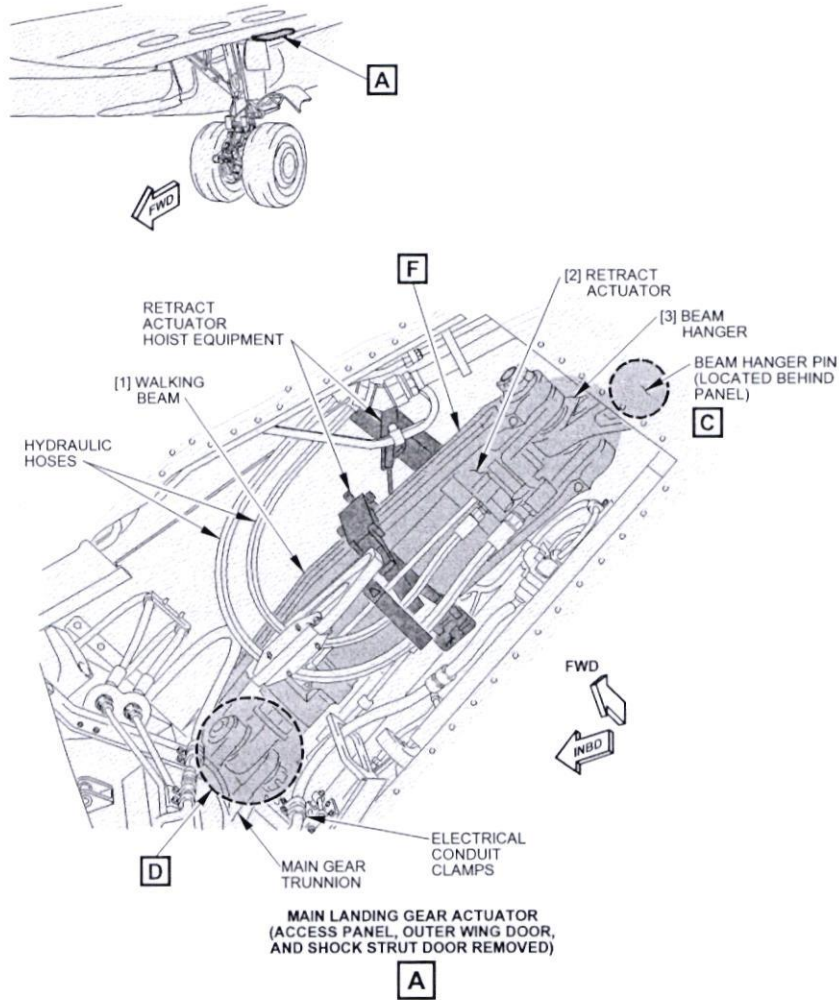
Item: _____ Completed through item: _____ Sign: _____

Rev # 44



Rev Date: Oct 17, 2024 PDT

GAT 168



G20713 50006575180_V2

Handwritten: MR-2059

Figure 401. Main Gear Actuator Assembly Installation - Sheet 1
TASK 32-32-11-000-801

Stamp: GAT 308

Handwritten: 20/12/24

Stamp: GAT 308

Handwritten signature: [Signature]

PARTIAL SIGN OFF STATUS:

Item: _____ Completed through item: _____ Sign: _____

Item: _____ Completed through item: _____ Sign: _____

Rev # 44

Rev Date: Oct 17, 2024 PDT



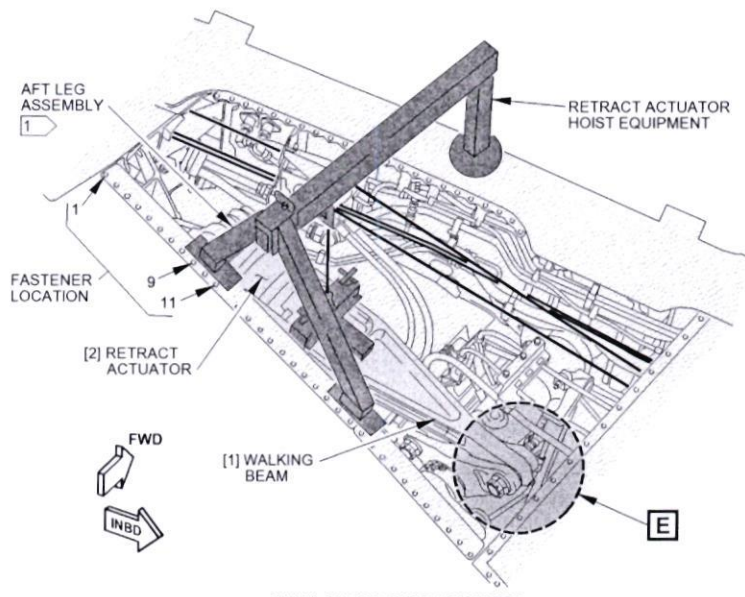
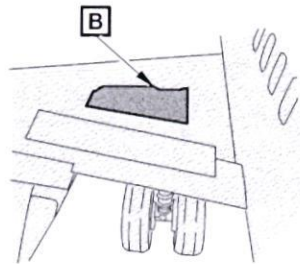
Left Main Landing Gear Restoration

Type: Routine Card

ATA: 32--

Flow: -

Work Area: -



1 USE FASTENER LOCATIONS NUMBERS 9 AND 11 FOR THE AFT OUTBOARD LEG OF THE HOIST EQUIPMENT.

B

G20722 S0006575181_V2

MP2059

Figure 401. Main Gear Actuator Assembly Installation - Sheet 2
TASK 32-32-11-000-801

GAT 368

26/12/24

[Handwritten Signature]

GAT 368

PARTIAL SIGN OFF STATUS:

Item: _____ Completed through item: _____ Sign: _____

Item: _____ Completed through item: _____ Sign: _____

Rev # 44



Rev Date: Oct 17, 2024 PDT

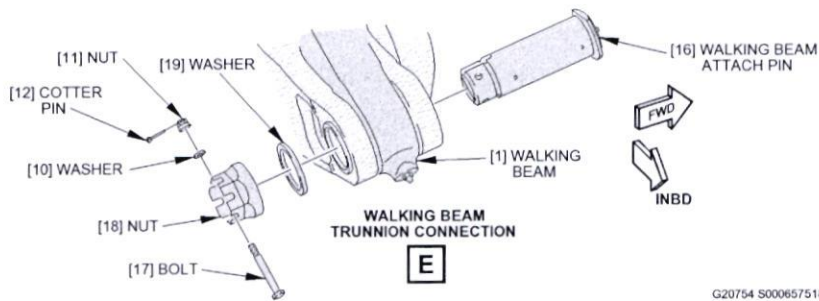
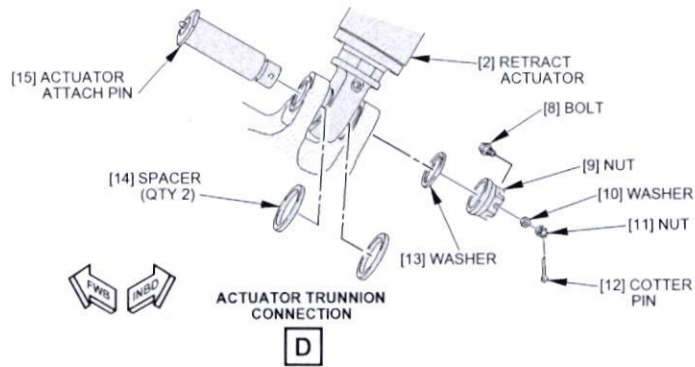
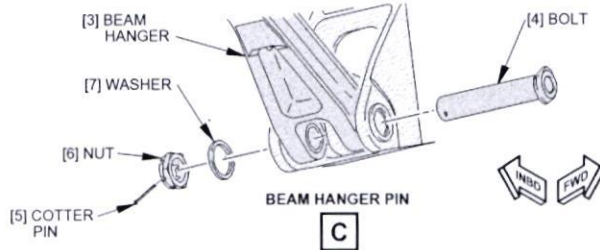
Left Main Landing Gear Restoration

Type: Routine Card

ATA: 32--

Flow: -

Work Area: -



G20754 S0006575182_V2

Handwritten signature

Figure 401. Main Gear Actuator Assembly Installation - Sheet 3
TASK 32-32-11-000-801

Handwritten signature
26/12/24
GAT 368

PARTIAL SIGN OFF STATUS:

Item: _____ Completed through item: _____ Sign: _____

Item: _____ Completed through item: _____ Sign: _____

Rev # 44



Rev Date: Oct 17, 2024 PDT

GCAA APPROVAL No : UAE.145.1232

Handwritten signature
24/12/24
GAT 188